

Rugged Interface Converter for Connection of NG360 Sensor with RS485 Interface to RS232 Port of a Computer



Description

The SC485B serves as a very reliable interface between Rieker sensors with RS485 outputs - such as the NG360 - and computers with RS232 serial ports. Packaged in a solid and compact pressure die-cast Aluminum housing (IP65) with integrated electronics, this converter has the potential for up to 128 sensors on the RS485 bus.

The interface converter within the housing, consists of a PCB, a 9-channel DSUB port for the RS232 bus, a 4-channel clamp for the RS485 bus, a plug for the external 12V supply voltage, two LED's for monitoring system operation, the bus voltage level and termination resistances and the interface electronics with voltage level converters and transmission line drivers and receivers.

Applications

The interface converter connects any SEIKA sensor with RS485 data output interface to the RS232 port of a computer.

Features

- Rugged, Pressure Die-cast Aluminum Housing with Saltwater Proof Coating
- Environmental Protection: IP65
- 9...15 Volt Supply Voltage
- Reverse Polarity Protected
- Internal 5 Volt Stabilizing and Internal Generation of the +/- RS232 Voltage Levels
- Half-duplex RS232 / RS485 bus
- RS485 Bus Capacity Up to 128 Participants
- 9-channel DSUB RS232 Port
- 4-pole Terminal Block for RS485 Input
- Plug Jack for External 12V Adapter
- LED Indicating Bus Activity

TECHNICAL SPECIFICATIONS

TECHNICAL SPECIFICATIONS	
INPUT VOLTAGE	12V ±3VDC
CURRENT CONSUMPTION	Approx. 30mA + Sensor Current Consumption
RS485 WIRE TERMINAL	4 x 1.5mm ² max. (4 x 0.059in ²), 16 AWG max
RS232 CONNECTOR	DSUB 9
RS485 BUS	Half Duplex
LOAD RESISTOR	100 Ohm (can be terminated by solder bridge on board)
RS485 BUS ESD PROTECTION	±15kV (Human Body Model)
BUS CAPACITY	128 max.
DATA TRANSFER RATE	250kbps max.

34 MOUNT PLEASANT ROAD • ASTON • PA • 19014 • USA

voice: 610-500-2000

fax: 610-500-2002

email: info@riekerinc.com

web: www.riekerinc.com



RIEKER
INCORPORATED

SC485B

General Specifications Brochure

Figure 1: Dimensions and Mounting Position [mm]

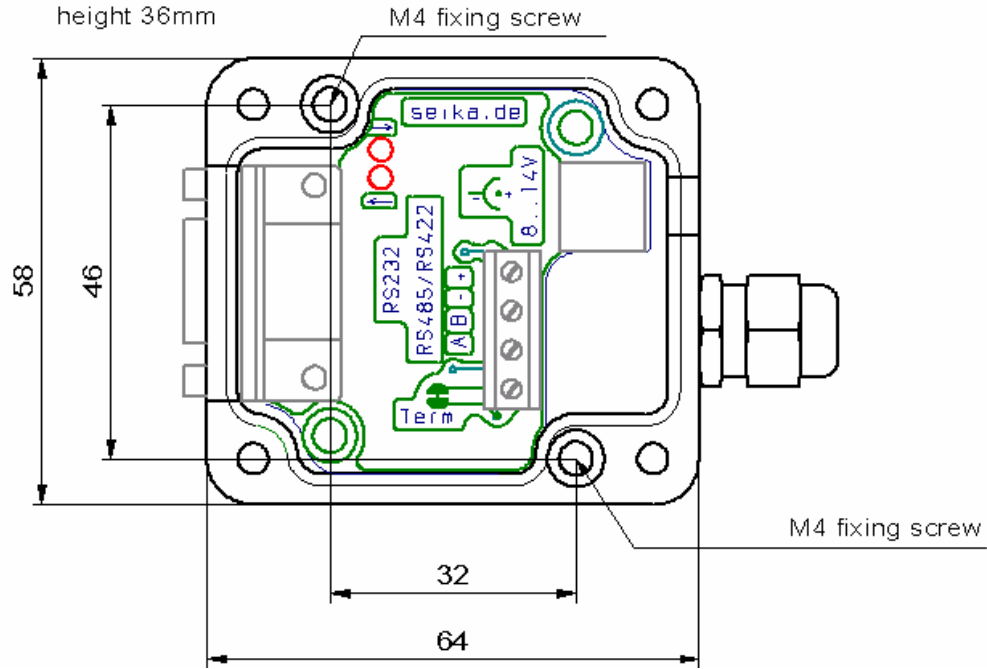
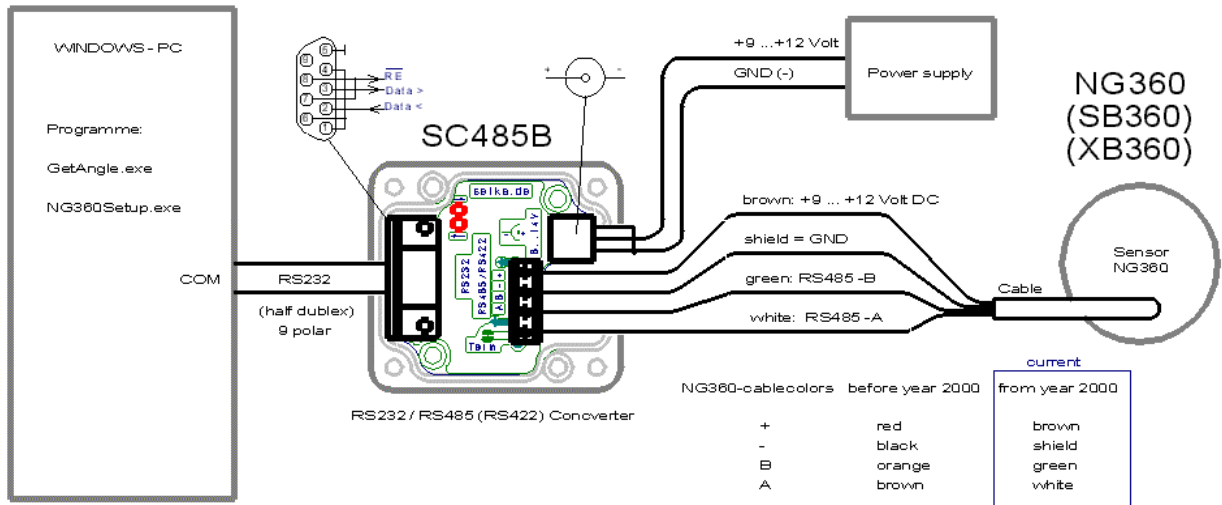


Figure 2: Connection to RS232/RS485 converter



PC COM PORT TO RS232 / RS485 PROTOCOL

BAUD RATE (BIT/SEC)	9600
DATA BITS	8
PARITY	None
STOP BIT	1
PROTOCOL	None

34 MOUNT PLEASANT ROAD • ASTON • PA • 19014 • USA

voice: 610-500-2000

fax: 610-500-2002

email: info@riekerinc.com

web: www.riekerinc.com